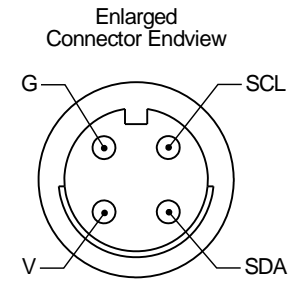
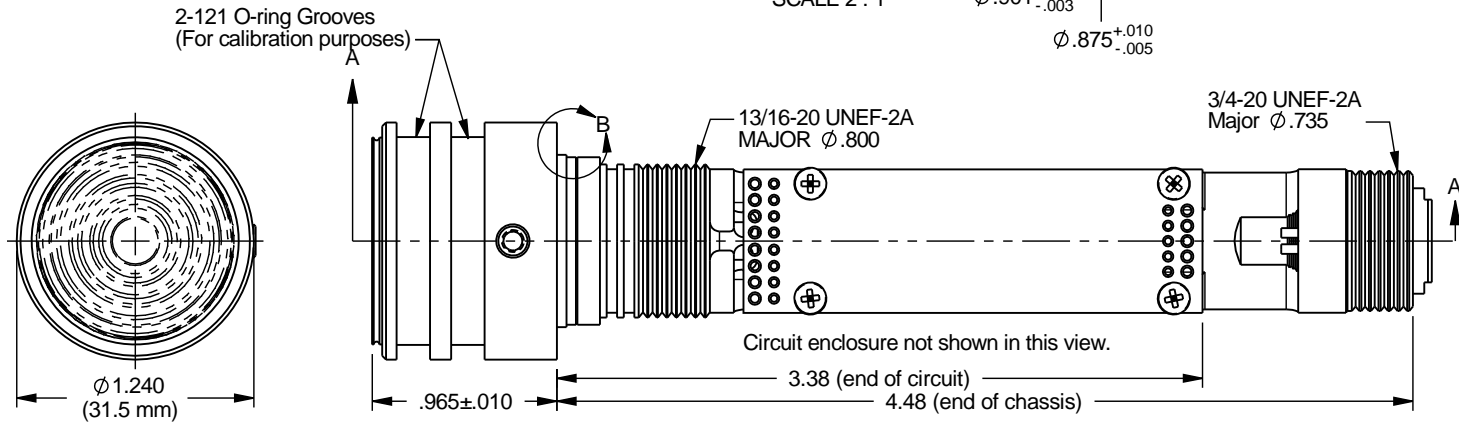
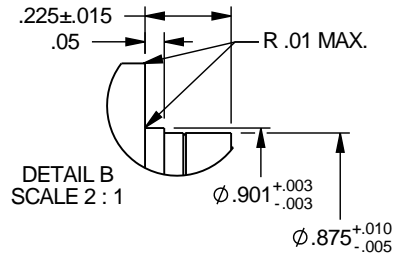
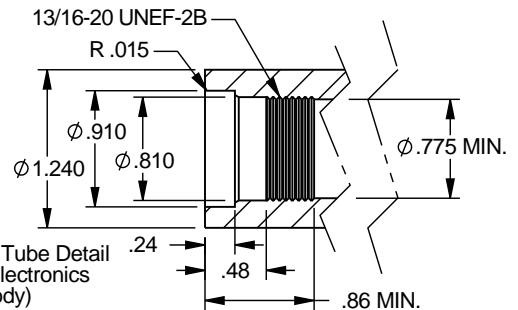
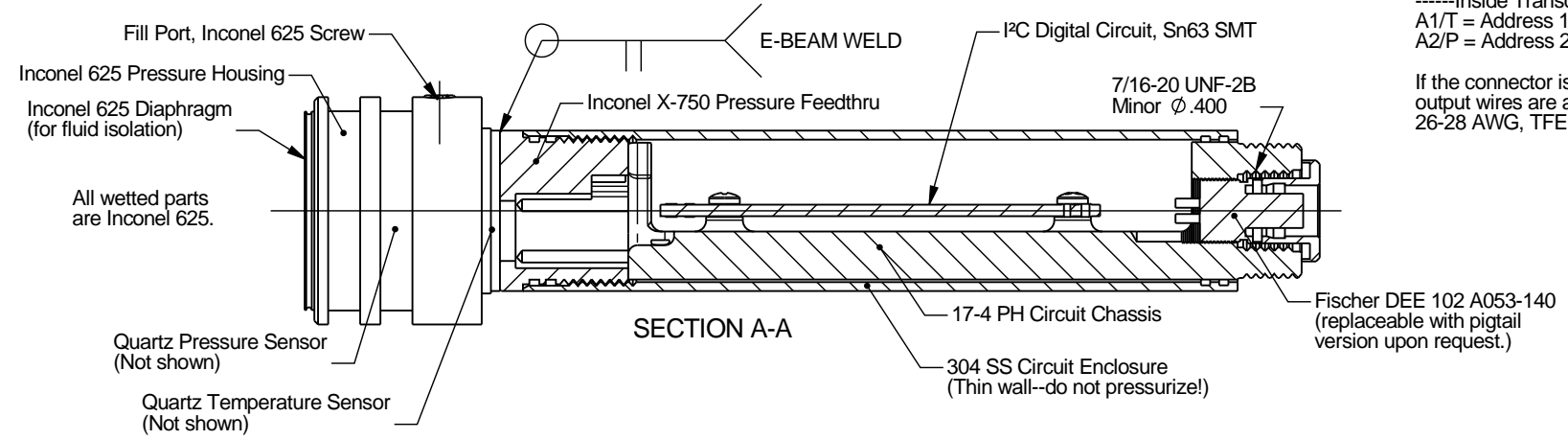


Calibration O-Ring and Backup Ring
 Parker 2-121 (QD PN: D21290-V121)
 PEEK Backup Ring QD PN: D21486-01



Connector Pinout:
 V = Supply, VDC (Blue)
 G = Ground (Black)
 SCL = Clock (Slate/Grey)
 SDA = Data (Green)
 -----Inside Transducer-----
 A1/T = Address 1 (Yellow)
 A2/P = Address 2 (Purple)

If the connector is removed, the five output wires are approx. 4" in length. 26-28 AWG, TFE Insulation



Suggested Tube Detail to protect electronics (EBW to body)

Part Number: DMD301-xx-yyy
 © 2011 Quartzdyne, Inc.
 07/28/2011

-xx is calibrated pressure in kpsi
 -yyy is calibrated temperature in °C



QUARTZDYNE,
INC.

A DOVER COMPANY

Mechanical
Specifications

E20-026

A0

Mechanical Specifications for DMD301 Transducers

Mechanical Proof Pressure	25,000 psia [1725 bar]
Sensor Pressure Limit	varies with temperature; see plot below
Pressure Media	particle-free fluid compatible with Inconel 625
Mechanical Shock	500 g, 2 ms half-sine
Vibration	10 – 2,000 Hz, 10.9 gRMS Random Vibration
Weight	11.5 oz [326 g]

