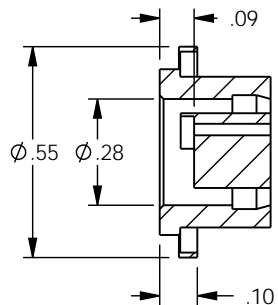
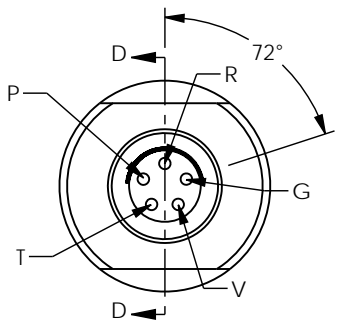
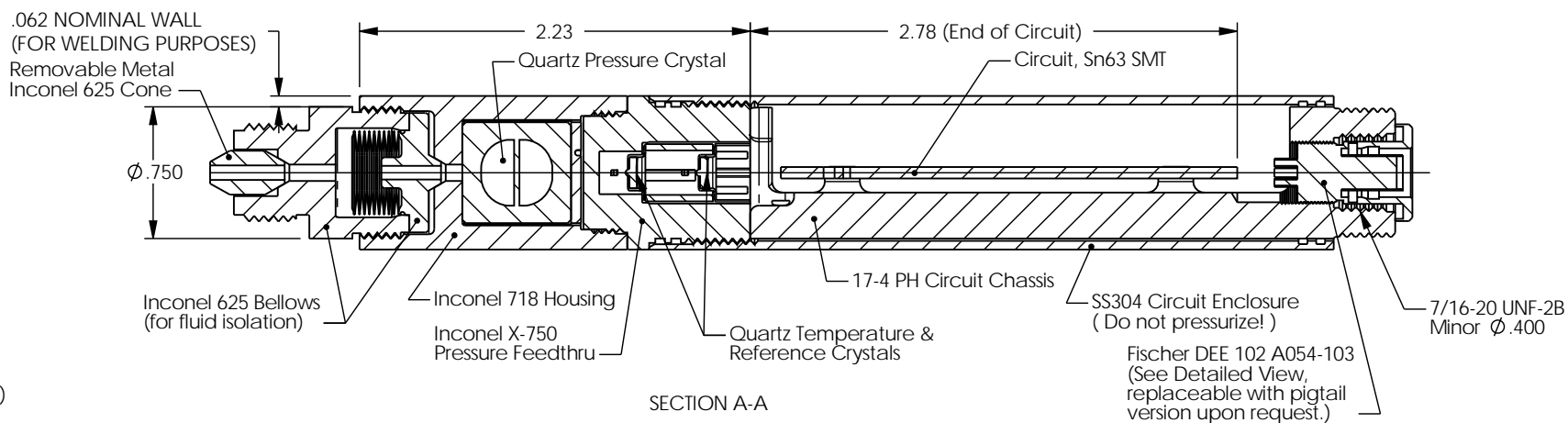
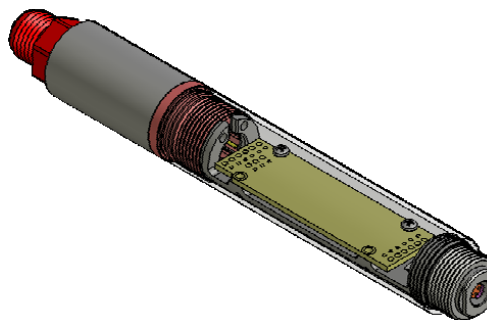


Fischer Connector Pinout:
 V = Supply (Blue wire)
 G = Ground (Black)
 P = Pressure *f* (Purple)
 T = Temperature *f* (Yellow)
 R = Reference *f* (White)

If the connector is removed, the five output wires are approx. 4" in length (26 AWG)



SECTION D-D
SCALE 2 : 1



Part Number: QMB301-xx-yyy
 © 2011 Quartzdyne, Inc.
 7/22/2011

-xx is calibrated pressure in kpsi
 -yyy is calibrated temperature in °C



QUARTZDYNE, INC.

A DOVER COMPANY

Mechanical Specifications

E20-023

A0

Mechanical Specifications for 7/8" (0.88") Transducers

Mechanical Proof Pressure	35,000 psi [2415 bar]
Sensor Pressure Limit	varies with temperature; see plot below
Pressure Media	particle-free fluid compatible with Inconel 625 and MP35N
Mechanical Shock	500 g, 2 ms half-sine
Vibration	10 – 2,000 Hz, 10.9 gRMS Random Vibration
Weight	9.2 oz [260 g]

